



EXTERNAL SWAGE
HEAVY DUTY - GROOVE STEM
STEEL


FEATURES & APPLICATIONS:

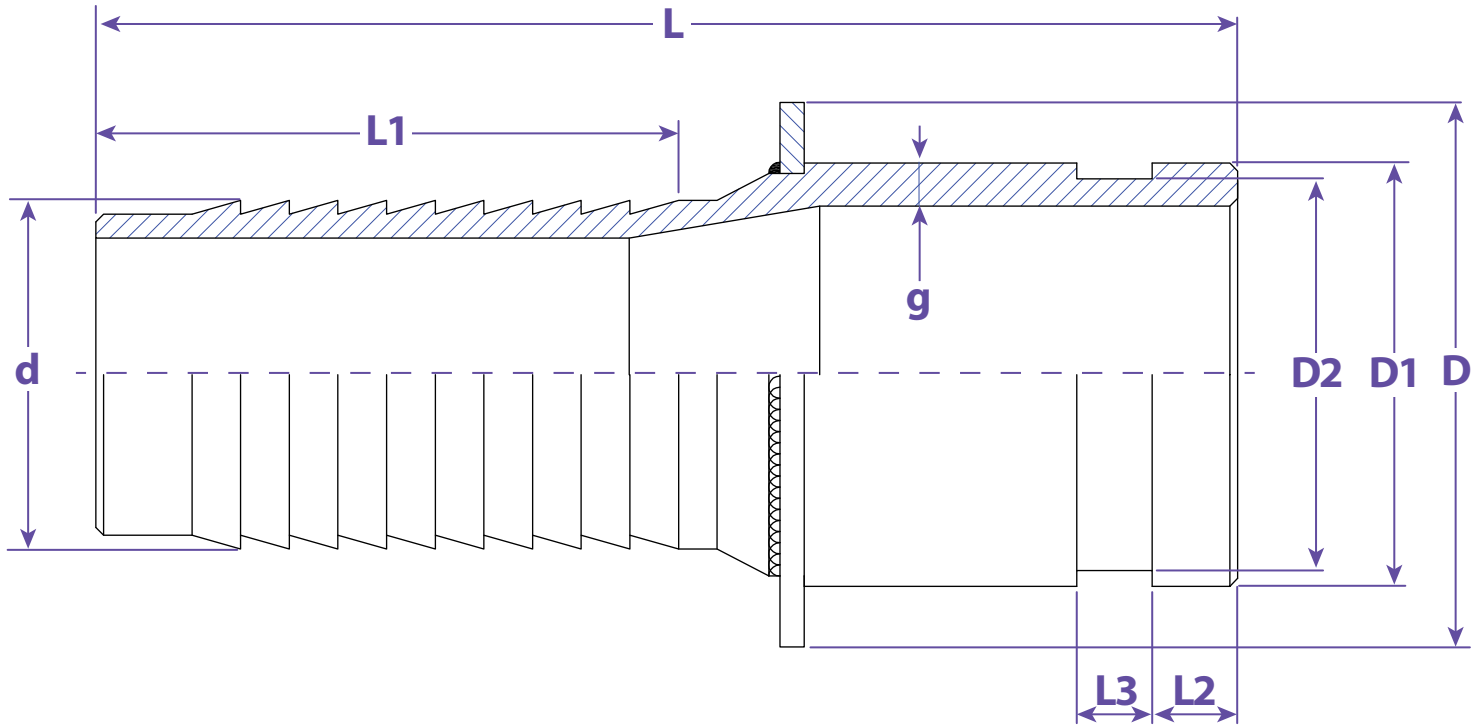
- Use with Industrial Ferrules
- When used with corresponding HDI Ferrules, provide a permanent end connection to rubber industrial hoses for use in the toughest applications.
- Hose applications: Tank Truck, Chemical, Mud Suction, OS&D, Oil Discharge, Frac-Tank, Water Discharge, Water Suction, Water Jetting, Hot Tar & Asphalt, Material Handling, Textile Air, Wire Air, Petroleum and Marine



STEEL

GROOVED		
SIZE	WORKING PSI	STEEL #
2"	800	HD200G
2-1/2"	800	HD250G
3"	800	HD300G
4"	500	HD400G
5"	500	HD500G
6"	500	HD600G
8"	300	HD800G

 Information contained on this page is for general information purposes only. Seal Fast Inc. assumes no responsibility for errors or omissions for this product.



Dimensions

D	D1	D2	d	L	L1	L2	L3	g	Part #
2.6772	2.3740	2.2441	2.0315	6.0551	2.8346	0.6299	0.3150	0.1535	HD200
3.1890	2.8740	2.7165	2.5315	7.0079	3.3858	0.6299	0.3150	0.2047	HD250
3.6614	3.5000	3.3465	3.0315	7.9409	4.2520	0.6299	0.3150	0.2165	HD300
4.8031	4.5000	4.3307	4.0315	9.1339	4.7244	0.6299	0.3740	0.2362	HD400
6.1024	5.5630	5.3937	5.0315	10.5118	5.9055	0.6299	0.3740	0.2598	HD500
7.1654	6.6260	6.4567	6.0472	12.5315	5.9843	0.6299	0.3740	0.2795	HD600
9.4094	8.6260	8.4646	8.0472	14.0551	7.5197	0.7480	0.4331	0.3228	HD800

TITLE EXTERNAL SWAGE - HEAVY DUTY HOSE STEMS - GROOVED

DISCLAIMER

All drawings and specifications are subject to change without notice. Drawings represent general dimensions of our products. Seal Fast cannot guarantee the dimensions of the part will exactly match those in the drawing. This drawing is the property of Seal Fast Inc. Copying or reproduction of this drawing is expressly prohibited.

MATERIAL

HD... G Carbon steel tube
HD... GSS Stainless steel tube 304

DRAWING NOT TO SCALE

PART # HD...G, GSS

